

## IMMERGAS SE INTERNAL BOILER

MANUFACTURED BY:

 **IMMERGAS**

Wall hung traditional hydronic system boiler for indoor installation

- Sealed room fan assisted model with a 36 kW heat output
- Compact dimensions
- Automatic system by-pass
- D.H.W. Storage Tank (optional)
- Electronic control board microprocessor driven
- Electronic ignition and full modulation
- Diagnostic and performance display
- Intelligent External Controller CAR<sup>v2</sup> with outside sensor (optional)
- FREE upgrade to 5 year warranty if you purchase a premier pack

**5 YEAR\***  
**WARRANTY**



### MEASUREMENTS

725 x 520 x 250 (H x W x D) mm  
Empty appliance weight - 43 kg.

### MAIN FLUE KITS

Horizontal concentric kit 60/100 - 3.017736  
Vertical concentric kit 60/100 - 3.015631  
(Terracotta).

### MAIN OPTIONS

CAR<sup>v2</sup> - 3.021395  
External Sensor - 3.014083  
Storage tank connection kit - 3.020934.



**HUNT**  
HEATING

CAR<sup>v2</sup>



EXTERNAL SENSOR



 **SAI GLOBAL**

### SHOWROOM

11 Fiveways Boulevard  
Keysborough  
VIC 3173

PHONE 1300 00 1800

FAX (+613) 9798 5133

[enquiries@huntheat.com.au](mailto:enquiries@huntheat.com.au)



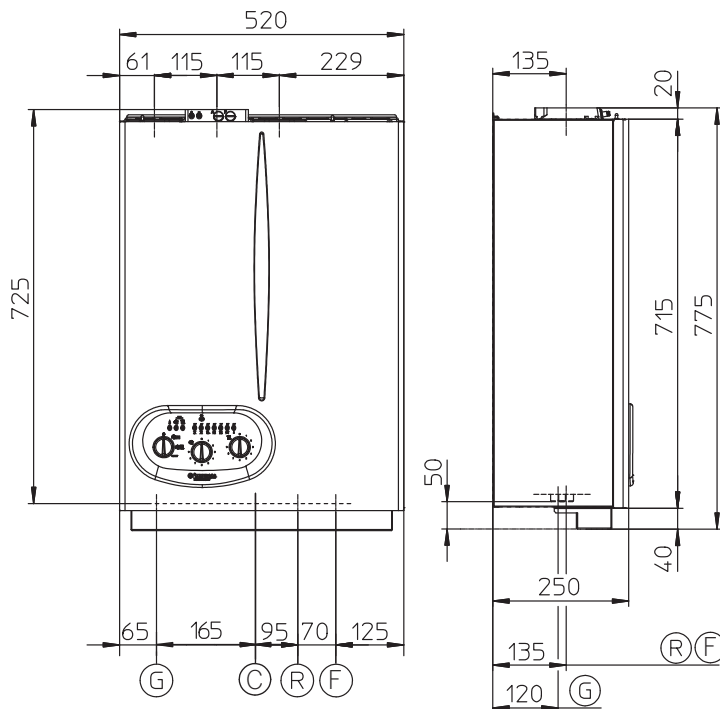
**HUNT HEATING**  
The smart choice.

[www.huntheat.com.au](http://www.huntheat.com.au)

Model	Code NG./LPG	Heat output kW	Efficiency at nom. heat output	Protection index
SE 32 kW	IMG SE 32+ I NG IMG SE 32+ I LPG	36	87.3%	IPX5D

COMBUSTION PARAMETERS			
		NG (G20)	LPG (G30)
Supply Pressure	kPa	1.0	2.8
Flue temperature at nominal output	°C	67	68

TECHNICAL DATA		
Heat output NG	mJ/h (kW)	128.5 (35.7)
Heat output LPG	mJ/h (kW)	128.5 (35.7)
Burner pressure maximum NG/LPG	kPa	0.70 / 2.10
Burner pressure minimum NG/LPG	kPa	0.19 / 0.55
Efficiency 80/60 Nom./Min.	%	87.30
Efficiency 50/30 Nom./Min.	%	93.20
Adjustable central heating temperature	°C	35 - 85
Expansion vessel factory-set pressure	bar	1
Pressure relief setting	bar (psi)	3 (44)
Expansion vessel capacity	L	10
Head available with 1000 l/h flow rate	kPa (m H <sub>2</sub> O)	30.2 (3.1)
Electrical connection	V/Hz	230 / 50
Installed electric power	W	180
Maximum flue length 60/100	m	V 4.7 / H 3.0
Maximum flue length 80/80	m	V40 / H 20



Height (mm)	Width (mm)	Depth (mm)
725	520	250
Connections		
Cold Inlet	Gas	System
C	G	R   F
1/2"	3/4"	3/4"   3/4"

**Key:**  
*G - Gas Supply (not supplied as standard)*  
*R - Return -CH*  
*F - Flow -CH*  
*C - Cold fill*